



Reliable, Maintenance-Free, Whisper-Quiet Wet Rotor Circulators for Residential and Light Commercial Heating Systems



New



- High starting torque provides years of trouble-free start-ups
- Unique B&G DuraGlide™ Bearing System assures whisper-quiet, maintenance-free operation.
- Closed impeller design improves operating efficiency
- Backed by B&G's representatives and a great 3-year warranty
- NRF-22 replaces TACO* 007 and Grundfos‡ UP15-42F
- NRF-33 replaces TACO* 0010
- NRF-9F/LW - low watt model ideal for zoning applications and injection pumping in radiant systems
- NRF-36 replaces TACO* 0013, 0011, 0014 and Grundfos‡ UP26-99, UP26-96 and UP26-64
- NRF-45 replaces Grundfos‡ UP43-75



ITT

Engineered for life

Bell & Gossett Red Fox® Wet Rotor Circulators

for Residential and Light Commercial Heating Systems

Description

A residential or light commercial, maintenance free, axial flanged, in-line, cast iron, wet rotor circulation pump for hydronic heating systems.

UL and cUL Listed.

Operating Data

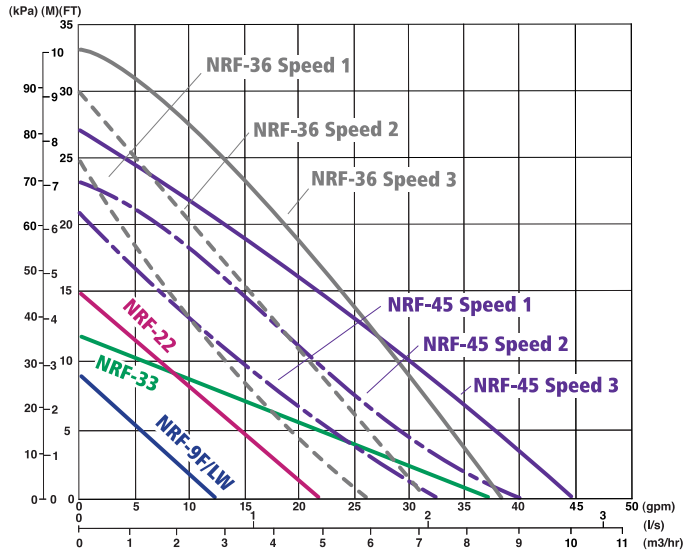
Maximum working pressure 150 psi (10 bar)
 Maximum operating temperature
 NRF-22 & NRF-9F/LW 240°F (115°C)
 NRF-33, NRF-36 & NRF-45 225°F (107°C)

Materials of Construction

Pump Body Cast Iron
 Impeller Polypropylene
 NRF-22 & NRF-9F/LW Polypropylene
 NRF-33, NRF-36 & NRF-45 Noryl
 Shaft Ceramic
 Bearings Double-Sintered Carbon

Warranty

Bell & Gossett offers a warranty of three years from date of manufacture or 18 months from date of installation (which ever comes first) against failure as a result of defects in materials and workmanship.

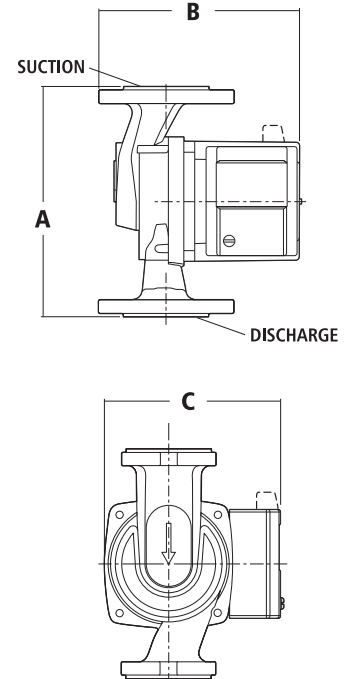


Model Number	Part Number	Flange Sizes Inches - NPT	Dimensions Inches - (mm)			Standard 60 Cycle Motor Characteristics*				Shipping Weight lbs. (Kg)	
			A	B	C	Watts	Ø	Volts	E.L. Amps		RPM
NRF-22	103251	3/4, 1, 1-1/4, 1-1/2	6-3/8 (162)	5-9/16 (141)	4-7/8 (124)	92	1	115	0.80	2940	9.3 (4.2)
NRF-9F/LW	103267			6-3/16 (157)	5-1/8 (130)	41			0.40	2800	
NRF-33	103350			6-7/8 (175)	5-3/4 (146)	125			1.10	2950	
NRF-36	103400			7-3/8 (187)	5-3/4 (147)	270			2.30	3300	
NRF-45	103404			8-1/2 (216)	5-3/4 (147)	270			2.30	3300	

NRF-9F/LW, NRF-22 and NRF-33 are impedance protected.
 NRF-36 and NRF-45 are thermally protected.

Dimensions

Dimensions are approximate and subject to change. Contact factory for certified dimensions.



1 DuraGlide™ Bearing System (blue areas in cutaway illustration) incorporates several components working together to eliminate seasonal freeze-up

7 Stabilized, heat resistant, non-metallic impeller, its closed design improves operating efficiency

8 NRF-36 and NRF-45 are available with three speed motor offering a wide range of hydraulic capabilities

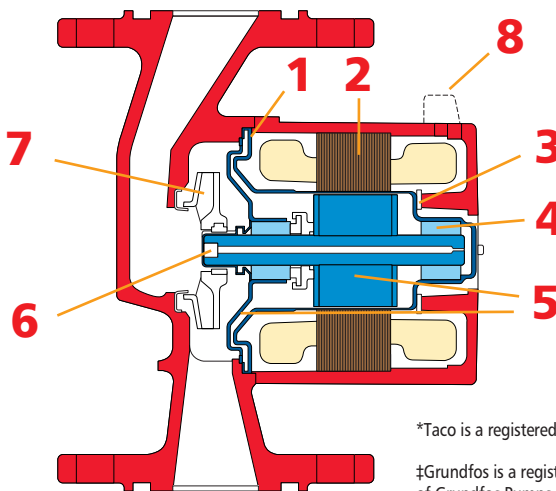
2 Powerful Red Fox motor provides years of trouble-free operation

3 One-piece, high-nickel stainless steel stator can isolate the stator from system fluid and maintains precision bearing alignment for longer bearing life

4 Carbon bearings, diamond-like ceramic shaft and generous clearances are more resistant to lime, chloride and oxide build-up

5 Face plate and rotor sleeve feature corrosion resistant stainless steel construction for longer life

6 Self-cleaning particle shield protects the shaft and bearings from system start-up debris



*Taco is a registered trademark of Taco, Inc.

‡Grundfos is a registered trademark of Grundfos Pumps Corp.



USA
 Bell & Gossett
 8200 N. Austin Avenue
 Morton Grove, IL 60053
 Phone: 847/966-3700
 FAX: 847/966-9052
 www.bellgossett.com



INTERNATIONAL
 Bell & Gossett
 8200 N. Austin Avenue
 Morton Grove, IL 60053
 Phone: 847/966-3700
 FAX: 847/966-2384
 www.bellgossett.com

CANADA
 Fluid Products Canada
 55 Royal Rd.
 Guelph, Ontario
 N1H 1T1, Canada
 Phone: 519/821-1900
 www.ittpc.ca